



**STANDARD CONSTRUCTION**

**BODY:**

4"-8" 30 GAUGE ASTM A-653 HOT-DIPPED GALVANIZED STEEL  
9"-20" 28 GAUGE ASTM A-653 HOT-DIPPED GALVANIZED STEEL

**STANDARD SIZES:**

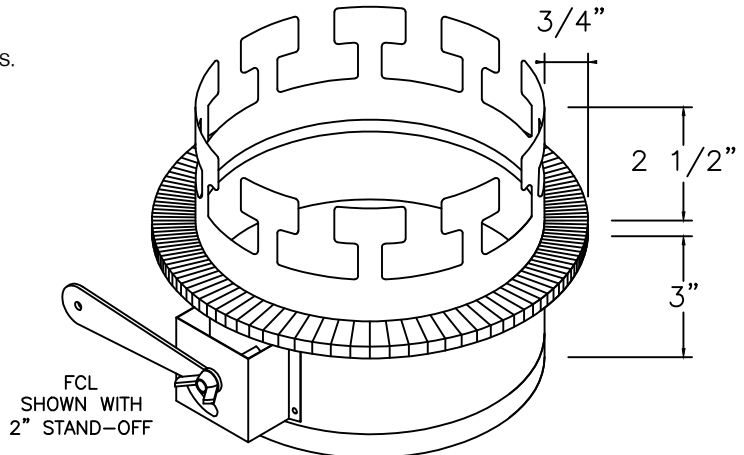
STANDARD MODEL	DIAMETER	STANDARD CASE QTY.	W/ SCOOP	W/ SCOOP CASE QTY.	W/ DAMPER	W/ DAMPER CASE QTY.	W/ SCOOP AND DAMPER	W/ SCOOP AND DAMPER CASE QTY.	GAUGE
FCL04	4"	100	FCZ04	80	FCD04	100	FCZD04	80	30ga
FCL05	5"	100	FCZ05	70	FCD05	100	FCZD05	70	30ga
FCL06	6"	75	FCZ06	60	FCD06	75	FCZD06	60	30ga
FCL07	7"	60	FCZ07	50	FCD07	60	FCZD07	50	30ga
FCL08	8"	50	FCZ08	40	FCD08	50	FCZD08	40	30ga
FCL09	9"	40	FCZ09	30	FCD09	40	FCZD09	30	28ga
FCL10	10"	40	FCZ10	30	FCD10	40	FCZD10	30	28ga
FCL12	12"	25	FCZ12	20	FCD12	25	FCZD12	20	28ga
FCL14	14"	50	FCZ14	15	FCD14	50	FCZD14	15	28ga
FCL16	16"	15	FCZ16	15	FCD16	15	FCZD16	12	28ga
FCL18	18"	15	FCZ18	10	FCD18	15	FCZD18	8	28ga
FCL20	20"	15	FCZ20	10	FCD20	15	FCZD20	6	28ga

**FEATURES**

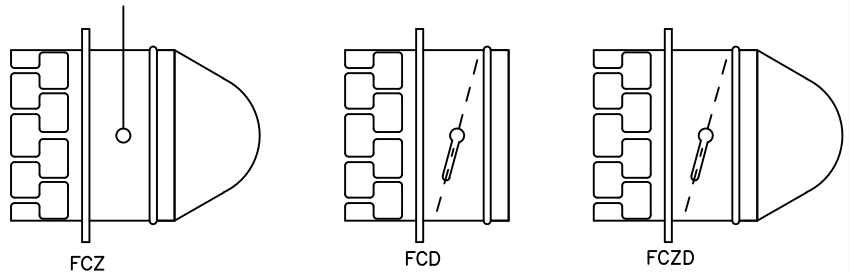
DESIGNED TO ACCOMMODATE R4 AND R6 DUCT BOARD.  
FULLY HEMMED, NO RAW EDGES.  
3/4" FLANGE DIMENSION (EXCEEDS FLORIDA BUILDING CODE).  
BODY PRE-PUNCHED WITH HOLES FOR FIELD INSTALLATION OF DAMPERS.

**OPTIONS**

FCDXX: WITH DAMPER  
FCZXX: WITH SCOOP  
FCZDXX: WITH SCOOP AND DAMPER  
FOR 2" STAND-OFF: ADD -SO TO PART NO.  
FOR GASKET: ADD G TO PART NO.  
CUSTOM SIZES AVAILABLE



MOUNTING HOLES FOR OPTIONAL DAMPER



JOB NAME: \_\_\_\_\_  
 LOCATION: \_\_\_\_\_  
 ARCHITECT: \_\_\_\_\_  
 ENGINEER: \_\_\_\_\_  
 CONTRACTOR: \_\_\_\_\_

CONTACT MIAMI TECH INC. FOR ADDITIONAL INFORMATION OR WITH SPECIAL REQUIREMENTS.

3611 NW 74TH ST  
 MIAMI, FL 33147  
 PHONE: 305-693-7054 FAX: 305-693-6152

WEB: WWW.MIAMITECH.COM  
 EMAIL: SALES@MIAMITECH.COM

**FCL**

TAB COLLARS FOR FIBERGLASS  
PRODUCT SPECIFICATIONS



DRAWN BY: CG	DATE: 10/10/07	SCALE: NOT TO SCALE	DRAWING NO.
CHECKED BY: IG	DATE: 05/18/16	REVISION: 4	

FCL